

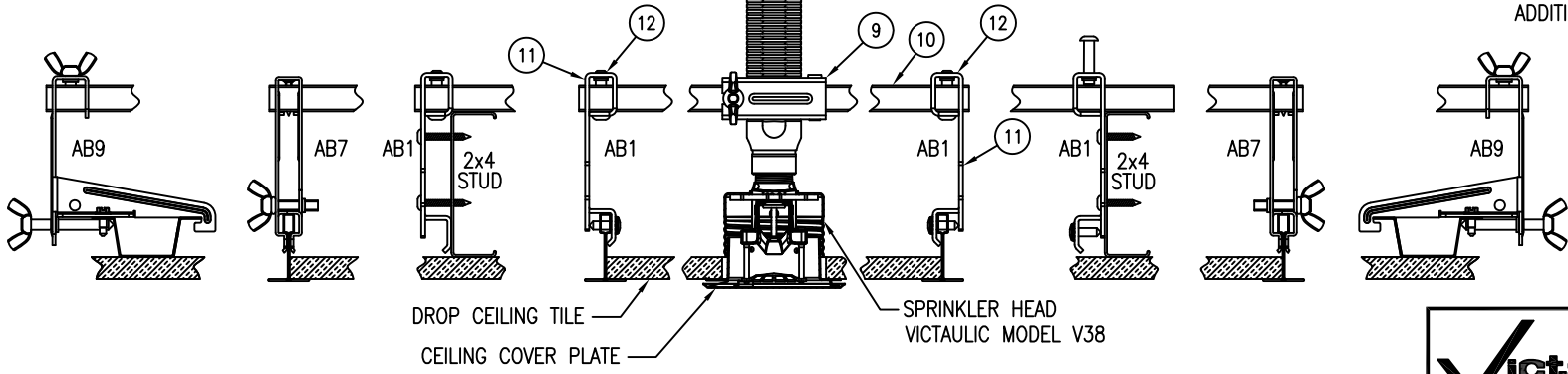
PRODUCT LEGEND	
1	INLET NIPPLE (1" FMPT)
2	NUT
3	ISOLATION RING
4	COLLAR / WELD FITTING
5	STAINLESS STEEL FLEXIBLE BRAIDED HOSE (1" NOMINAL DIAMETER) (LENGTHS AVAILABLE 31", 36" 48", 60", & 72")
6	COLLAR / WELD FITTING
7	NUT
8	ELBOW REDUCING OUTLET (AVAILABLE 1/2" OR 3/4" FMPT)
9	CENTER BRACKET ASSEMBLY
10	SQUARE BAR (AVAILABLE IN 24" AND 48" LENGTHS)
11	END BRACKET ASSEMBLY
12	SHEET METAL SCREW
13	VIC MECHANICAL-T OUTLET STYLE 922 FIRELOCK (1" FMPT)
SEE VICTAULIC SUBMITTAL NUMBER 10.85	

SEE SUBMITTAL 10.85 FOR
MAXIMUM TOTAL BENDS

MIN. RADIUS PER FM-7"



NOTES:
1. REFER TO VICTAULIC SUBMITTAL 10.85 FOR
ADDITIONAL DETAILS.



BRAIDED VICFLEX FLEXIBLE
HOSE SPRINKLER ASSEMBLIES WITH ELBOW REDUCER
FOR CONCEALED PENDENT SPRINKLERS

		CONSTRUCTION PIPING SERVICES DIVISION	
PROJECT: BRAIDED VICFLEX HOSE ASSEMBLIES		PROJ.#	
CUSTOMER:		P.O.#	
SYSTEM: VICFLEX SERIES AQB FOR CONCEALED PENDENT SPRINKLERS			
REF. DWG.: VICTAULIC SUBMITTAL 10.85		#044	
DRN.BY: RGS	DATE: 02/27/14	DRAWING NUMBER	REV.
CHK.BY: .	DATE: .	VICFLEX-B-CP-E	A