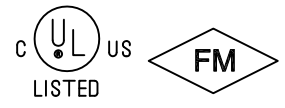
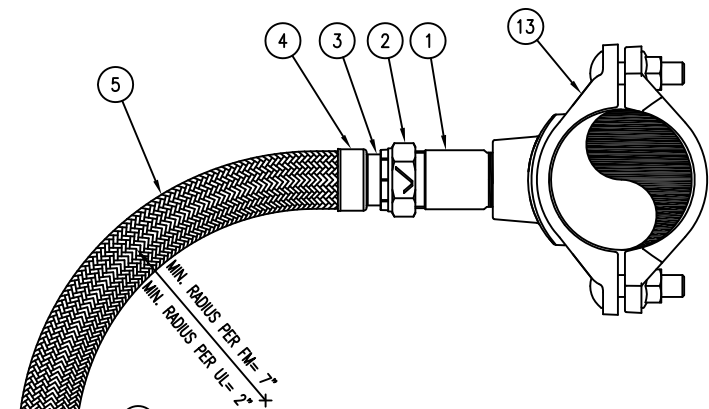
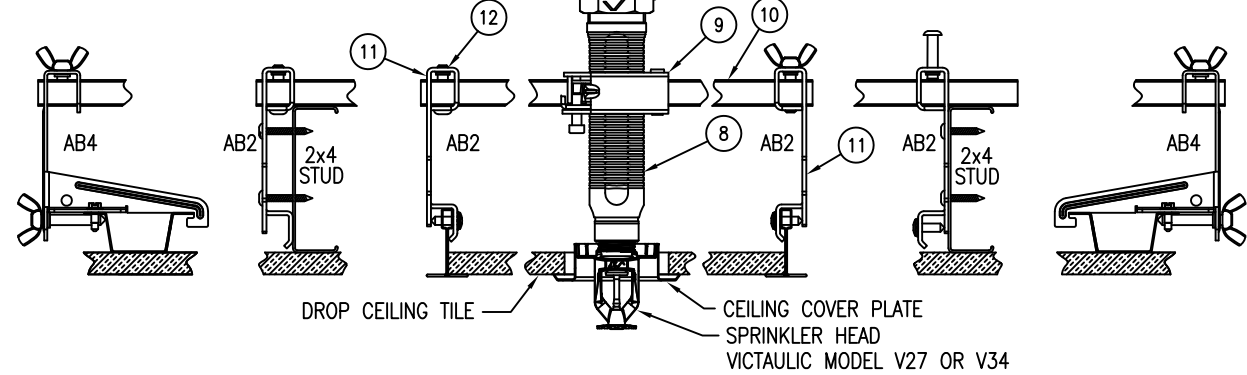


PRODUCT LEGEND	
1	INLET NIPPLE (1" FMPT)
2	NUT
3	ISOLATION RING
4	COLLAR / WELD FITTING
5	STAINLESS STEEL FLEXIBLE BRAIDED HOSE (1" NOMINAL DIAMETER) (LENGTHS AVAILABLE 31", 36" 48", 60", & 72")
6	COLLAR / WELD FITTING
7	NUT
8	REDUCING OUTLET (AVAILABLE 1/2" OR 3/4" FMPT)
9	CENTER BRACKET ASSEMBLY
10	SQUARE BAR (AVAILABLE IN 24" AND 48" LENGTHS)
11	END BRACKET ASSEMBLY
12	SHEET METAL SCREW
13	VIC MECHANICAL-T OUTLET STYLE 922 FIRELOCK (1" FMPT)
SEE VICTAULIC SUBMITTAL NUMBER 10.85	



SEE SUBMITTAL 10.85 FOR  
MAXIMUM TOTAL BENDS

NOTES:  
1. REFER TO VICTAULIC SUBMITTAL 10.85 FOR  
ADDITIONAL DETAILS.



BRAIDED VICFLEX FLEXIBLE  
HOSE SPRINKLER ASSEMBLIES  
FOR STANDARD PENDENT SPRINKLERS

<b>Victaulic</b>		CONSTRUCTION PIPING SERVICES DIVISION	
PROJECT: BRAIDED VICFLEX HOSE ASSEMBLIES		PROJ.#	_____
CUSTOMER: _____		P.O.#	_____
SYSTEM: VICFLEX SERIES AQB FOR STANDARD PENDENT SPRINKLERS			
REF. DWG.: VICTAULIC SUBMITTAL 10.85		#011	
DRN.BY: RGS	DATE: 03/04/14	DRAWING NUMBER	REV.
CHK.BY: .	DATE: .	VICFLEX-B-CB-SP	A