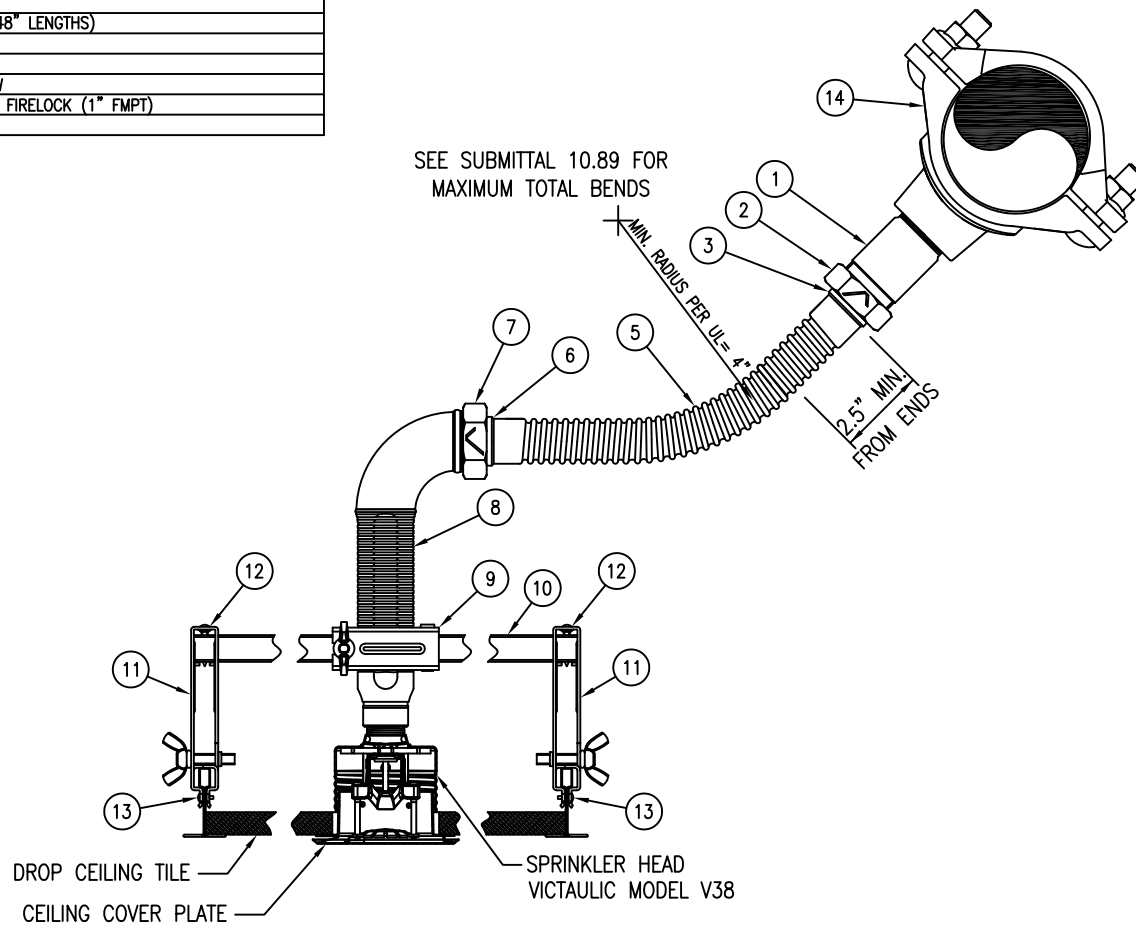



PRODUCT LEGEND	
1	INLET NIPPLE (1" FPT)
2	NUT
3	ADAPTER RING
4	NOT USED
5	STAINLESS STEEL FLEXIBLE UNBRAIDED HOSE (7/8" NOMINAL DIAMETER) (LENGTHS AVAILABLE 31", 36", 48", 60", & 72")
6	ADAPTER RING
7	NUT
8	ELBOW REDUCING OUTLET (AVAILABLE 1/2" OR 3/4" FMPT)
9	CENTER BRACKET ASSEMBLY
10	SQUARE BAR (AVAILABLE IN 24" AND 48" LENGTHS)
11	END BRACKET ASSEMBLY
12	SHEET METAL SCREW
13	#8 X 1/2-INCH SELF-TAPPING SCREW
14	VIC MECHANICAL-T OUTLET STYLE 922 FIRELOCK (1" FMPT)
SEE VICTAULIC SUBMITTAL NUMBER 10.89	



UNBRAIDED VICFLEX FLEXIBLE
HOSE SPRINKLER ASSEMBLIES
WITH ELBOW REDUCER
FOR CONCEALED PENDENT SPRINKLERS

NOTES:
 1. REFER TO VICTAULIC SUBMITTAL 10.89 FOR ADDITIONAL DETAILS.

		CONSTRUCTION PIPING SERVICES DIVISION	
		PROJECT: UNBRAIDED VICFLEX HOSE ASSEMBLIES	PROJ.# _____
CUSTOMER: _____		P.O.# _____	
SYSTEM: VICFLEX SERIES AQU FOR CONCEALED PENDENT SPRINKLERS			
REF. DWG.: VICTAULIC SUBMITTAL 10.89			#045
DRN.BY: RGS	DATE: 01/14/13	DRAWING NUMBER	REV.
CHK.BY: .	DATE: .	VICFLEX-UB-CP-E	B