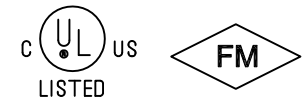
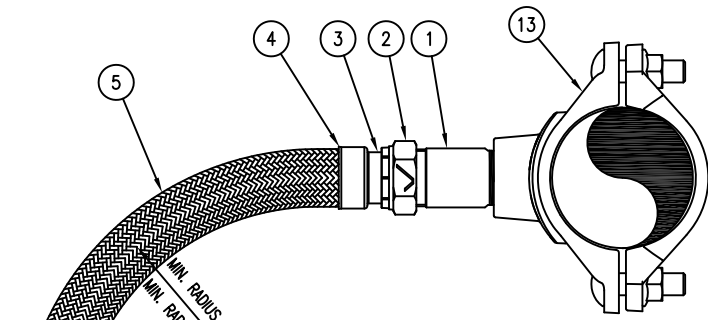
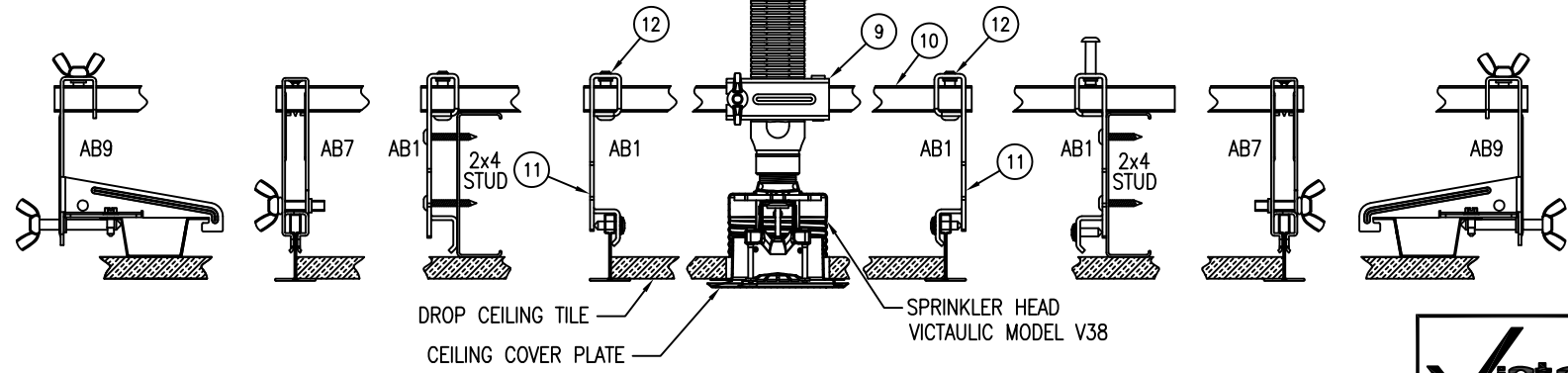


PRODUCT LEGEND	
1	INLET NIPPLE (1" FMPT)
2	NUT
3	ISOLATION RING
4	COLLAR / WELD FITTING
5	STAINLESS STEEL FLEXIBLE BRAIDED HOSE (1" NOMINAL DIAMETER) (LENGTHS AVAILABLE 31", 36" 48", 60", & 72")
6	COLLAR / WELD FITTING
7	NUT
8	REDUCING OUTLET (AVAILABLE 1/2" OR 3/4" FMPT)
9	CENTER BRACKET ASSEMBLY
10	SQUARE BAR (AVAILABLE IN 24" AND 48" LENGTHS)
11	END BRACKET ASSEMBLY
12	SHEET METAL SCREW
13	VIC MECHANICAL-T OUTLET STYLE 922 FIRELOCK (1" FMPT)
SEE VICTAULIC SUBMITTAL NUMBER 10.85	



NOTES:
1. REFER TO VICTAULIC SUBMITTAL 10.85 FOR ADDITIONAL DETAILS.



**BRAIDED VICFLEX FLEXIBLE
HOSE SPRINKLER ASSEMBLIES
FOR CONCEALED PENDENT SPRINKLERS**

		CONSTRUCTION PIPING SERVICES DIVISION	
		PROJECT: BRAIDED VICFLEX HOSE ASSEMBLIES	PROJ.# _____
CUSTOMER: _____		P.O.# _____	
SYSTEM: VICFLEX FLEX SERIES AQB FOR CONCEALED PENDENT SPRINKLERS			
REF. DWG.: VICTAULIC SUBMITTAL 10.85			#013
DRN.BY: RGS	DATE: 02/27/14	DRAWING NUMBER	REV.
CHK.BY: .	DATE: .	VICFLEX-B-CP	A